

10 L F-STYLE BOTTLE 056 Series

Mould Number(s): R-430 or R-434

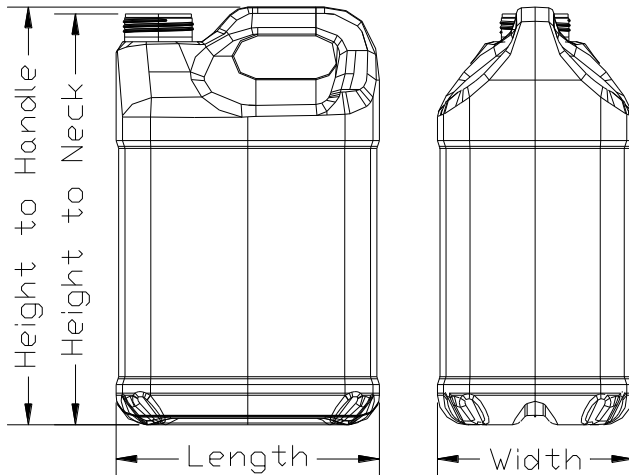
A 10 L heavy duty, oblong "F"-style bottle made of High Density Polyethylene, ideal for use as shipping container for a wide range of chemicals and numerous general uses.

PERFORMANCE SPECIFICATIONS

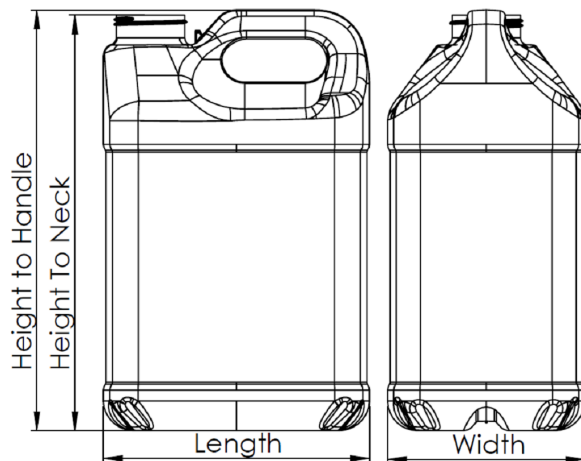
- No objection status for food contact applications from the Health Protection Branch in Canada and compliance for use in food contact applications by the Food and Drug Administration in the United States (black bottles excluded).
- UN classification for transportation of Group II or III liquid fill dangerous goods when used as a combination package in conjunction with appropriate cap and carton (see sales specification SS-UNCP-002). Classification is good for land, and sea transport.

DIMENSIONS

Capacity	Rated	10.0 L	(2.6 gal)
	Overflow	11.0 L	(2.9 gal)
Weight	Bottle Only	350.0 ± 10.0 g	(0.77 ± 0.02 lb)
Dimensions	L x W x H(to neck)	23.4 x 17.3 x 36.8 cm	(9.2" x 6.8" x 14.5")
Panel Dimensions	(Sides) W x H	16.5 x 20.3 cm	(6.5" x 8.0")



Drawing shown with
63mm Rieke/Phoenix neck



Drawing shown with
63mm Rexam/Berry neck

SPECIAL FEATURES

Neck Finishes	38mm, 63mm and 63mm TE are available.
Closures	<ul style="list-style-type: none"> ➤ 38mm neck designed for cap Berry Global Inc. 219 Series with tri-Seal liner ITE40. Will accept induction seals. ➤ 63mm neck designed for cap Rieke FS-632 with foam liner F217, Phoenix 63-S01, and Rexam Screw Caps. Will accept induction seals. ➤ 63mm neck TE designed for cap Rieke SC63TE Phoenix 63-S01, and Rexam Screw Caps. Ratchet is available for one-piece child-resistant caps. Will accept induction seals.
Barrier Properties	Available with Barrier Pak in-line fluorination (standard level 3) to reduce the permeation of aggressive formulas. Higher levels of fluorination (up to level 5) can accomplish if required, ask your sales rep for more information. See our Barrier Pak specification (SS-BP-001) for details.
Decorating	Bottles may be flamed on the recessed panels to improve adhesion. Bottles may also be custom sleeved on line or post labelled at an extra charge.
Packaging	Bottles may be delivered in shipper cartons or palletized. Shipper carton quotes based on carton specifications.

FILLING RECOMMENDATIONS

- Compatibility of the bottle with the fill product is the responsibility of the filler.
- Contents should not exceed 70°C (158°F) at time of fill.
- Filled containers should not be stacked and stored above 50°C (122°F)

Please contact us directly if you have any questions regarding the safe use and application of this package.

PACKAGING AND SHIPPING DATA

	Bulk - 105 Pack only	Bulk - 105 & 140 Combination Pack
Quantity per Pallet	105 units	105 or 140 units
Package Weight	40.8 + 18.1 kg (90 lb + 40 lb per pallet)	49.0 + 18.1 kg (108 lb + 40 lb per pallet)
Shipping Dimensions (L x W x H)	1.22 x 1.17 x 1.12 m (48" x 46" x 44")	1.22 x 1.17 x 1.50 m (48" x 46" x 59")
Shipping Volume	1.6 m ³ (56.2 ft ³)	2.1 m ³ (75.4 ft ³)
Truckload Quantity	5460 units	6370 units (26 skids of 105 pack & 26 skids of 140 pack)

WARRANTY

Reliance Products Ltd. warrants product to meet the above specifications and to be free from defect in workmanship and materials at time of shipment. Liability is limited to the replacement cost of the containers purchased. Reliance Products Ltd. does not test specific product packaging requirements and as such, customers are required to assure packaging meets the legal, environmental and containment needs of the product being packaged.

PRODUCT RANGE

Reliance Products Ltd. has many decades of experience manufacturing a wide range of both injection and blow molded plastic shipping containers, including:

Bottles 3L to 23L	Tighthead Containers 10L to 30L	Pails 4L to 23L
Drums 30L to 135L	Collapsible Containers 10L to 25L	