

4L "F"-STYLE BOTTLE

027 Series (38mm neck)
026 Series (63mm neck)

Mold Number(s): R-172-C/D

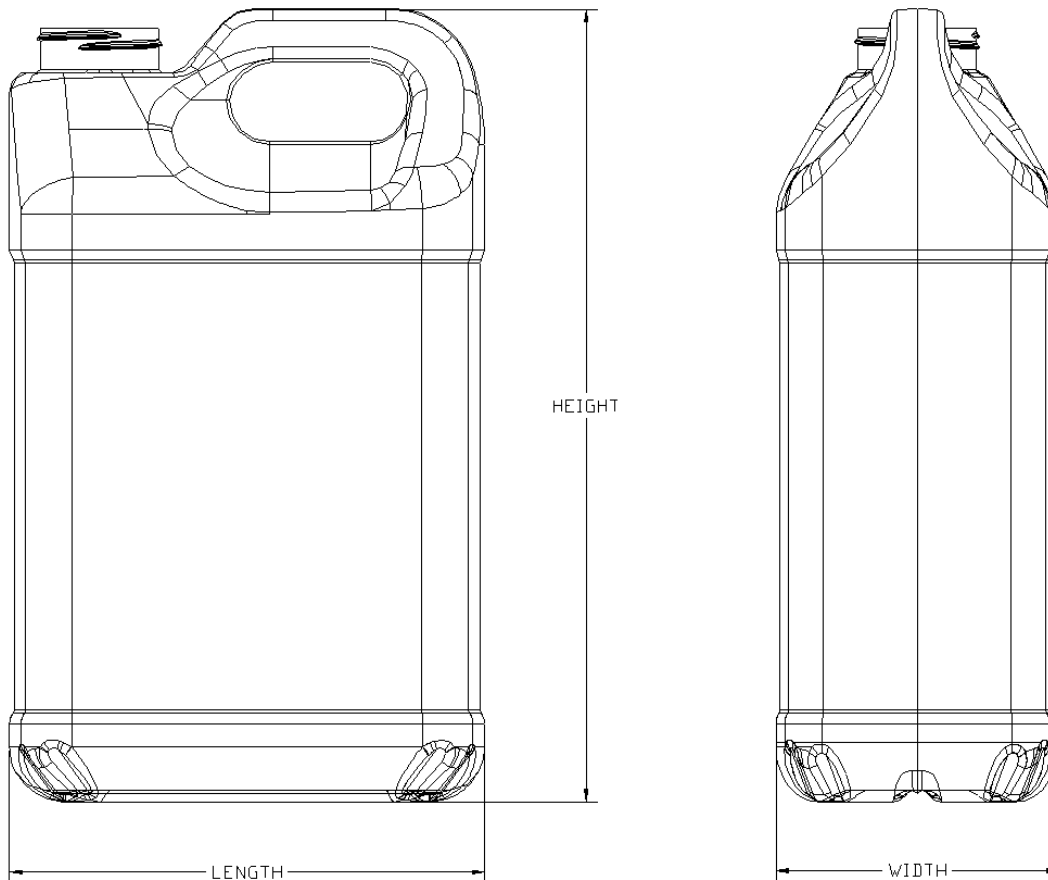
A 4L heavy duty, oblong "F"-style bottle made of High Density Polyethylene, ideal for use as shipping container for a wide range of chemicals and numerous general uses.

PERFORMANCE SPECIFICATIONS

- No objection status for food contact applications from the Health Protection Branch in Canada and compliance for use in food contact applications by the Food and Drug Administration in the United States. Black bottles excluded.
- UN classification for transportation of Group II or III liquid fill dangerous goods when used as a combination package in conjunction with appropriate cap and carton (see sales specification SS-UNCP-001). Classification is good for land, and sea transport.

DIMENSIONS

Capacity	Rated	4.0L	(1.06 gal)
	Overflow	4.3L minimum	(1.14 gal minimum)
Weight	Bottle Only	153.0 ±5.0 g	(0.34 ± 0.01 lb)
Dimensions	L x W x H	17.8 x 10.7 x 30.5 cm	(7.0" x 4.2" x 12.0")
Panel Dimensions	(Sides) L x W x H	15.2 x 7.6 x 16.8 cm	(6.0" x 3.0" x 6.6")



SPECIAL FEATURES

Neck Finishes	38mm, 63mm and 63 mm TE are available.
Closures	<ul style="list-style-type: none">➤ 38mm neck designed for cap Berry Global Inc. 219 Series with tri-Seal liner ITE40. Will accept induction seals.➤ 63mm neck designed for cap Rieke FS-632 with foam liner F217. Will accept induction seals.➤ 63mm neck TE designed for cap Rieke SC63TE; ratchet is available for one-piece child-resistant caps. Will accept induction seals.
Barrier Properties	Available with Barrier Pak in-line fluorination (standard level 3) to reduce the permeation of aggressive formulas. Higher levels of fluorination (up to level 5) can accomplish if required, ask your sales rep for more information. See our Barrier Pak specification (SS-BP-001) for details.
Decorating	Bottles flamed on the recessed panels to improve adhesion. Bottles may also be custom sleeved in-line or post labelled at an extra charge.
Packaging	Bottles may be delivered in shipper cartons or pallets. Shipper carton quotes based on carton specifications.

FILLING RECOMMENDATIONS

- Compatibility of the bottle with the fill product is the responsibility of the filler.
- Contents should not exceed 70°C (158°F) at time of fill.
- Filled containers should not be stacked and stored above 50°C (122°F)

Please contact us directly if you have any questions regarding the safe use and application of this package.

PACKAGING AND SHIPPING DATA

	Bulk	
Quantity per Pallet	264 units	
Package Weight	45.4 kg + 18.1 kg pallet	(100 lb + 40 lb pallet)
Shipping Dimensions (L x W x H)	121.9 x 109.2 x 121.9 cm	(48" x 43" x 48")
Shipping Volume	1.7 m ³	(59 ft ³)
Truckload Quantity	15840 units	

WARRANTY

Reliance Products Ltd. warrants product to meet the above specifications and to be free from defect in workmanship and materials at time of shipment. Liability is limited to the replacement cost of the containers purchased. Reliance Products Ltd. does not test specific product packaging requirements and as such, customers are required to assure packaging meets the legal, environmental and containment needs of the product being packaged.

PRODUCT RANGE

Reliance Products Ltd. has many decades of experience manufacturing a wide range of both injection and blow molded plastic shipping containers, including:

Bottles 3L to 23L	Tighthead Containers 10L to 30L	Pails 4L to 23L
Drums 30L to 135L	Collapsible Containers 10L to 25L	