

## 20 Litre Rectangular Tight Head (Y1.8, Y1.9)

076 series

Mold Number(s): 975B

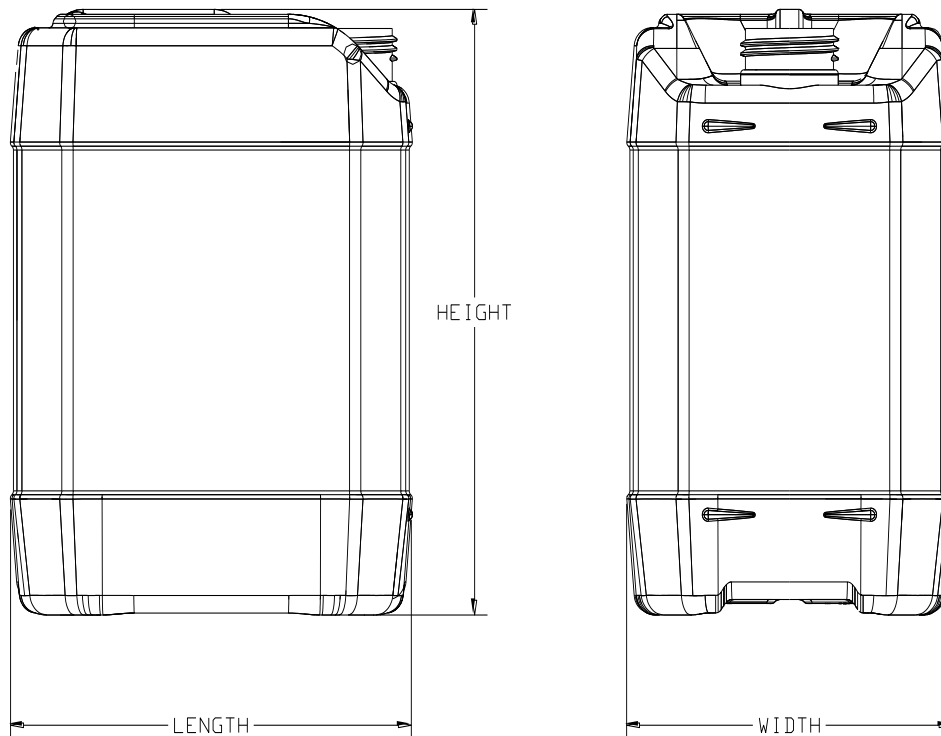
A 20L, heavy duty rectangular tight head made of High Density Polyethylene. The package is ideal for use as a shipping container for a wide range of Chemicals and numerous general uses.

### PERFORMANCE SPECIFICATIONS

- No objection status for food contact applications from the Health Protection Branch in Canada and compliance for use in food contact applications by the Food and Drug Administration in the United States. Black tight heads excluded.
- UN Classification for transportation or Group II or III liquid fill dangerous goods when used in conjunction with the specified cap or closure. See sales specification SS-UN-009 for more information. Classification is good for land, sea and air transport. Compatibility of fill product with container is the responsibility of the filler.

### DIMENSIONS

<b>Capacity</b>	<b>Rated</b>	20L	<b>Overflow (to top of neck)</b>	21.8L minimum
<b>Weight</b>	<b>Container Only</b>	1200g ± 25g		
<b>Dimensions</b>	<b>Length</b>	± 11.50 0.25"	<b>Width</b>	± 9.3 0.25"
	<b>Height</b>	± 16.35 0.050"		
<b>Panel Dimensions (flat sections) does not include flat corners</b>	<b>Sides W x H</b>	8.0" x 9.5"	<b>Front and Back W x H</b>	6.0" x 9.5"
			<b>Circumference of Panel</b>	37.75"



**SPECIAL FEATURES**

Neck Finish	Neck is designed to accommodate Reliance's 70mm Industrial Cap, a Keil 61mm cap, a 63mm Rieke pourspout or a 70mm Rieke FS-70 or FS-80 cap.
Closures	Will accept induction seals. Spigots and vented caps are available.
Venting	Available with or without 18mm vent at rear of container, capped or uncapped. End user may puncture vent to minimize glugging during pouring.
Decorating	Tight head is flamed to improve adhesion of labels and inks.
Stacking	Tight heads nest together to improve stability during storage.
Handle	A comfortable handle is moulded into the top of the tight head to aid in handling and for ease of pouring.
Palletization	This tight head has been designed to make optimum use of a standard 40" x 48" pallet.

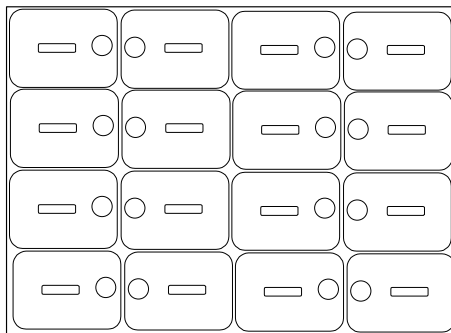
**FILLING AND STACKING RECOMMENDATIONS**

- Compatibility of the bottle with the fill product is the responsibility of the filler.
- Recommended cap torque may be 35, 72, or 100 in-lbs depending on the closure used. The 61mm Kiel closure with foam gasket has a torque recommendation of 35 in-lbs. Please reference the closure specification or contact us for information on your specific closure.
- Contents should not exceed 70°C (158°F) at time of fill.
- Filled containers should not be stacked and stored above 50°C (122°F).
- Maximum stack height of filled containers, based on contents of 20 kg (44 lbs.) per container, is 6 high. (three layers per pallet on two pallets).
- Containers should be arranged 16 per layer in a 4 x 4 pattern on a standard 40" x 48" pallet. The use of double-faced pallets is recommended, with stacks evenly spaced in such a manner such that no tight head overhangs the edge of the pallet. Pallet loads should be strapped and/or stretch wrapped to secure the load.

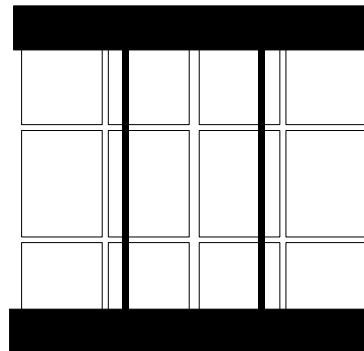
**PACKAGING AND SHIPPING DATA**

<b>Quantity Per Pallet</b>	48 pieces
<b>Package Weight</b>	131.0 lbs.
<b>Shipping Dimensions (L x W x H)</b>	48.88" x 37.63" x 48.00"
<b>Shipping Volume (Cubic Feet)</b>	51.1

Packaging includes top and bottom corrugate trays, secured with strapping and stretch wrap.



Top View of Pallet



Side View of Pallet

**WARRANTY**

Reliance Products L.P. warrants product to meet the above specifications and to be free from defect in workmanship and materials at time of shipment. *Liability is limited to the replacement cost of the containers purchased. Reliance Products LP does not test specific product packaging requirements and as such, customers are required to assure packaging meets the legal, environmental and containment needs of the product being packaged.*

**PRODUCT RANGE**

Reliance Products L.P. has many decades of experience manufacturing a wide range of both injection and blow moulded plastic shipping containers, including:

Bottles 1L to 23L	Tight head Containers	10L to 23L
Pails 4L to 23L	Collapsible Containers	10L to 25L

**CONTACT US FOR ALL YOUR PACKAGING NEEDS**

sales@relianceproducts.com/ 1.800.665.0258

[www.reliancepackaging.com](http://www.reliancepackaging.com)